

Small wind inverters

ABB generator interfaces

4000/7200-WIND-INTERFACE

4 to 7.2 kW



The 4000/7200-WIND-INTERFACE rectifies and filters the alternating current, thus producing a direct current output to feed ABB small wind turbine inverters. This device is suitable for turbines that produce 20 A current maximum.

The 4000/7200-WIND-INTERFACE has the possibility to drive an external diversion load resistor (opt.) that can help the turbine in case of high wind or missing grid.

Efficiency of up to 99.4%

The 4000/7200-WIND-INTERFACE has an efficiency of up to 99.4 percent and is compatible with all ABB small wind turbine single-phase inverters. It is a sealed unit to withstand harsh environmental conditions.

Highlights

- Three-phase passive rectification
- Fused three-phase input
- Automatic diversion load activation at 530 V

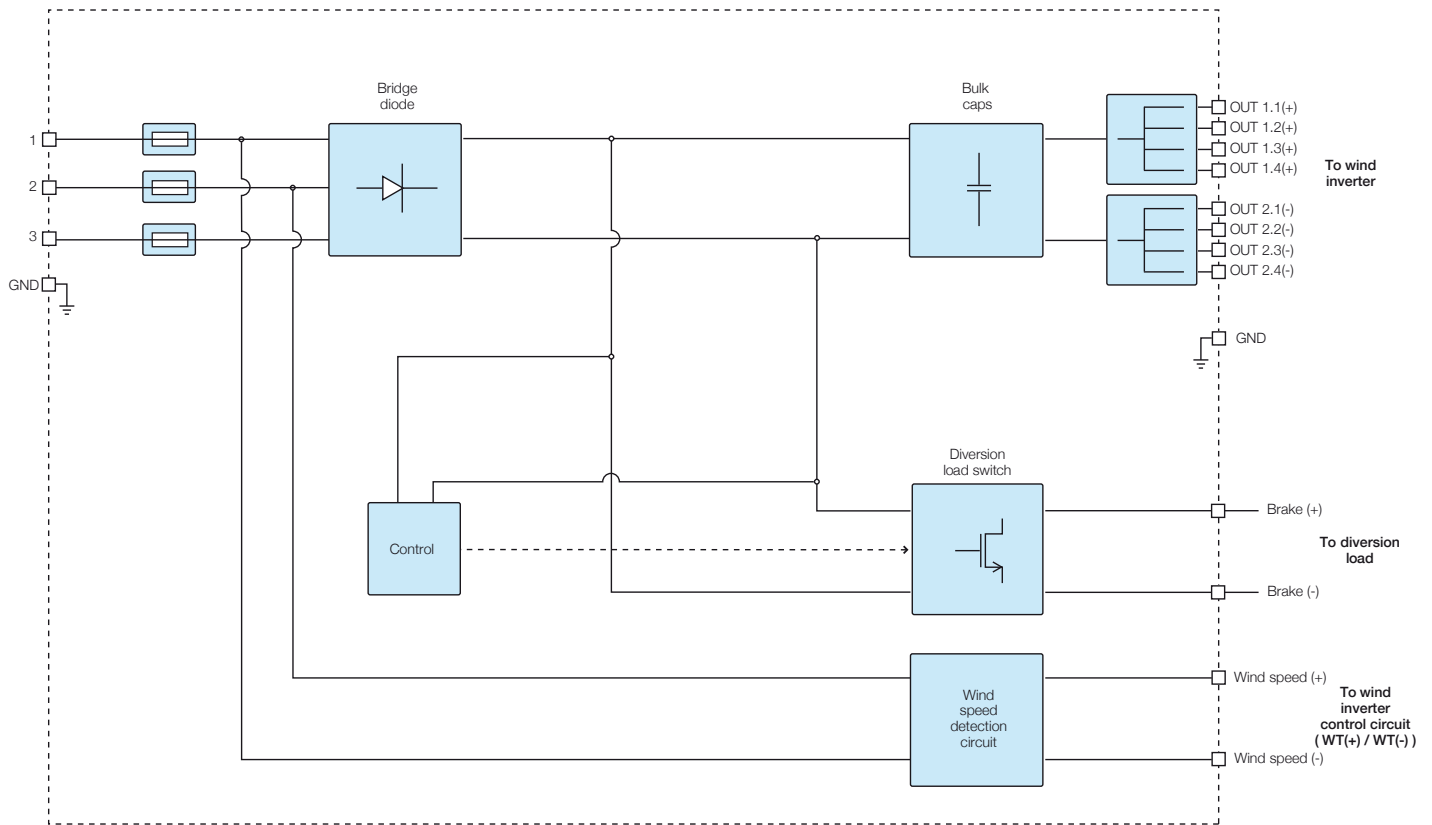
4000/7200-WIND-INTERFACE



Technical data and types

Type code	4000-WIND-INTERFACE-EU	7200-WIND-INTERFACE-EU
Input Side		
AC input voltage range (no damage) ($V_{acd,min} \dots V_{acd,max}$)	0...400 V	
Operating AC input voltage range ($V_{acmin} \dots V_{acmax}$)	35...400 V	
Operating frequency range ($f_{min} \dots f_{max}$)	0...600 Hz	
Maximum AC input current (I_{acmax})	16.6 A	
Voltage range in main brake resistor ($V_{MBRmin} \dots V_{MBRmax}$)	0...600 V	
Maximum current in auxiliary brake (diversion load) resistor ($I_{ABR,max}$)	6 A	15 A (20 A)
DC voltage range in auxiliary brake (diversion load) resistor ($V_{ABRmin} \dots V_{ABRmax}$)	Fixed at 530 V	
Wiring termination	Push wire	
Input protection devices		
Overvoltage protection type	Varistors, 3	
Input fuse size	3 x 6 A	3 x 15 A (opt. 20 A)
Output side		
Maximum output power ($P_{dc,max}$)	4 kW	7.2 kW
Output voltage range ($V_{dc,min} \dots V_{dc,max}$)	0...600 V	
Maximum output current ($I_{dc,max}$)	6 A	15 A (20 A)
Wiring termination	Push wire	
Output protection devices		
Inverter overvoltage protection type	No	

Block diagram of 4000/7200-WIND-INTERFACE

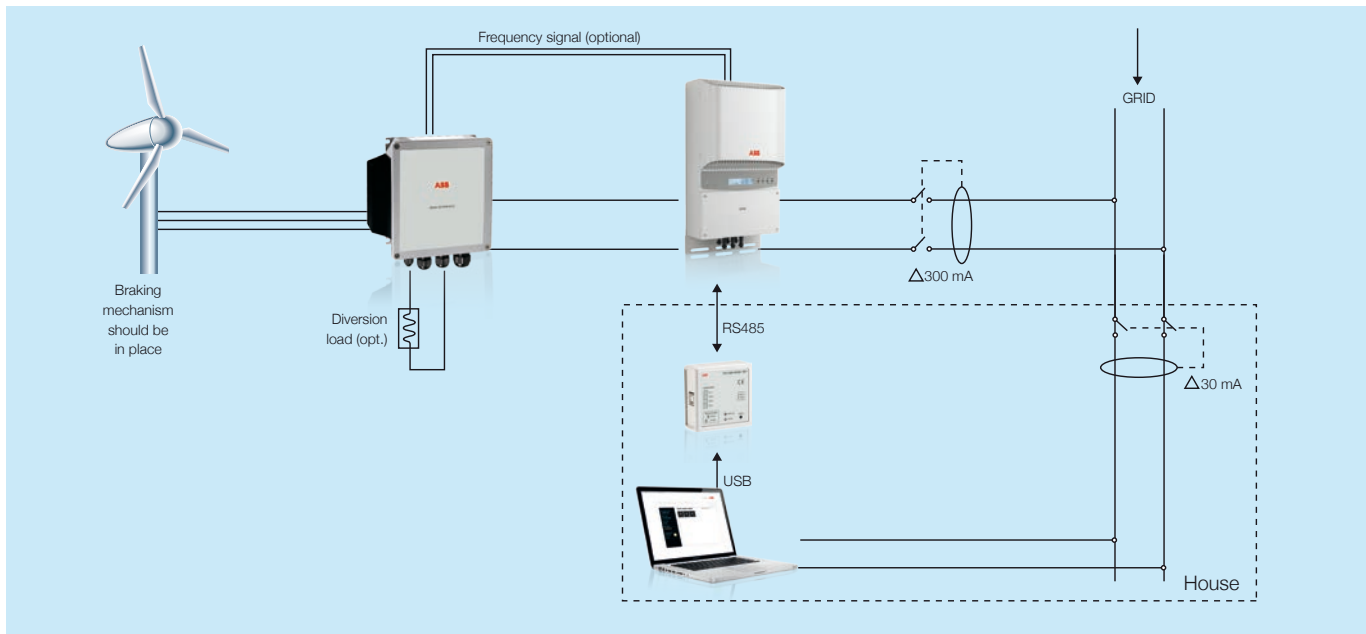


Technical data and types

Type code	4000-WIND-INTERFACE-EU	7200-WIND-INTERFACE-EU
Operating performance		
Peak efficiency (η_{peak})	99.4 %	
Stand-by consumption	< 3 W	
Environmental		
Ambient air operating temperature range	-25...+55°C (-13...131°F)	
Relative humidity	0...100 % condensing	
Acoustic noise emission level	<40 db(A)@1m	
Maximum altitude without derating	2000 m (6560 ft)	
Physical		
Enclosure rating	IP 65	
Cooling	Natural	
Dimension (H x W x D)	252 mm x 287 mm x 85.7 mm (9.9 in x 11.3 in x 3.37 in)	
Weight	1.8 kg (4.0 lb)	
Mounting system	Wall bracket	
Safety		
Safety approval	CE	
Safety and EMC standard	EN 50178, EN 61000-6-2	

Remark. Features not specifically listed in the present data sheet are not included in the product

Block diagram of 4000/7200-WIND-INTERFACE



Support and service

ABB supports its customers with a dedicated, global service organization in more than 60 countries and strong regional and national technical partner networks providing the complete range of life cycle services.

For more information please contact your local ABB representative or visit:

www.abb.com/converters-inverters

www.abb.com/windpower

© Copyright 2014 ABB. All rights reserved.
Specifications subject to change without notice.

